

COOLANT REFILL KIT FOR EVs EUROPE



1. FEATURES

2. SPECIFICATIONS

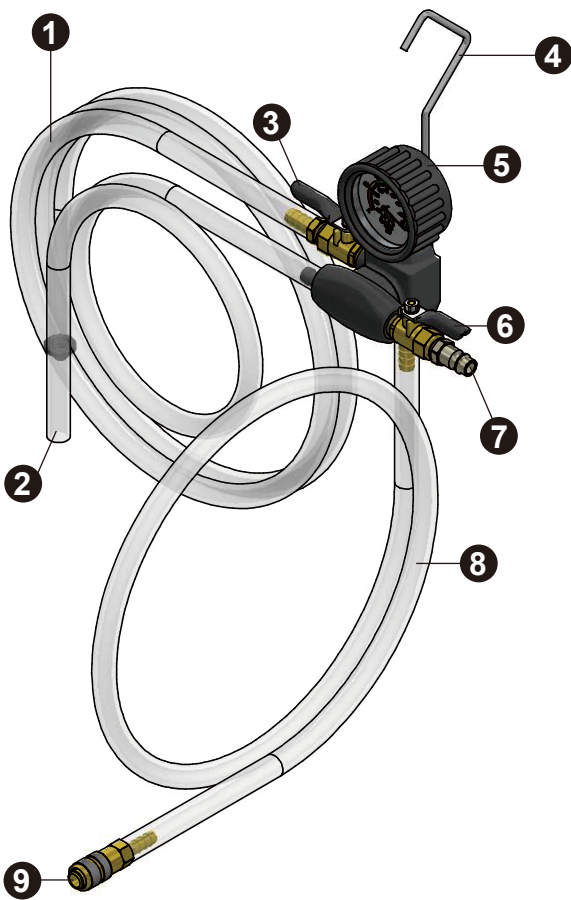
3. INSTRUCTIONS

4. APPLICATIONS

1. FEATURES

- Vacuum-type coolant refill tool has large internal passages to allow coolant to be refilled fast
- Provided with adapters for all Tesla models
- Tool is designed with only two valves - easy to use, intuitive design
- Tool with a hook can hang under the hood
- Tool needs to work with an air compressor to create a vacuum in the cooling system

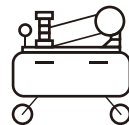
2. SPECIFICATIONS



VACUUM-TYPE COOLANT REFILL TOOL

1	Coolant suction hose	1,500 mm / 4.9 ft
2	Drain hose	600 mm / 2 ft
3	Coolant valve	
4	Hook	
5	Gauge	-1 - 0 bar / -76 - 0 cmHg
6	Air valve	
7	Air compressor connector	
8	Coolant refill hose	700 mm / 2.3 ft
9	Hose connector to adapters	

OTHER TOOLS REQUIRED BUT NOT INCLUDED



Air compressor



Container with premixed coolant at adequate volume

3. INSTRUCTIONS



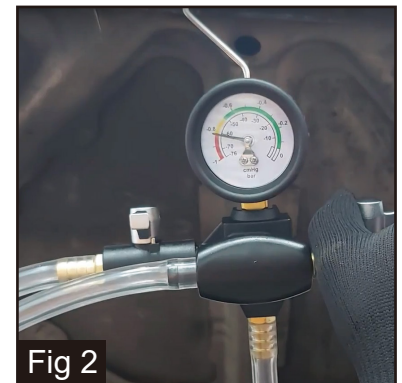
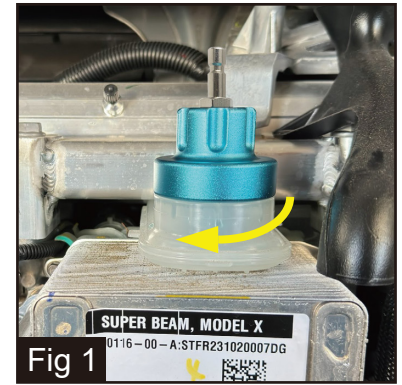
CAUTION



- Always read the instructions carefully before using the tool
- This tool set is designed for changing automotive coolant only
- Ensure the working area has adequate lighting
- Keep children and unauthorized persons away from the working area
- Keep working area clean and tidy, dry and free from unrelated materials
- DO NOT allow untrained persons to use this tool kit
- Always wear eye protection that meets OSHA and ANSI Z87.1 standards
- Always wear gloves when working with the tool
- Always wear ear protection
- Disposal: Customers should follow local regulations to handle used/waste parts

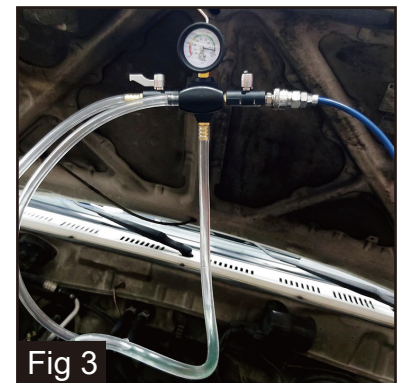
INSTALLATION

- 1 Jack up the car and drain old coolant.
- 2 After draining the coolant, lower the car.
- 3 Hang the tool under the hood.
- 4 Connect a suitable adapter to the radiator filler neck (Fig 1), and connect the coolant refill hose to the adapter.
- 5 Put the coolant suction hose in the premixed coolant, and remain submerged under the surface the whole time.
- 6 Make sure all valves are closed and connect to air compressor.



INSTRUCTION

- 7 Open the air valve and vacuum can be created (Fig 2).
- 8 When no more vacuum can be created, turn off the air valve.
- 9 Open the coolant valve, and the coolant will be introduced to the cooling system automatically (Fig 3)
- 10 Verify the coolant level, connect the original cap.
Fast refill and no air bleeding.



4. APPLICATIONS



Tesla Model S and Model X (all years)



Tesla Model 3 and Model Y (all years)

Adapter for MG cooling system for engines



Make	Model	Year	Type
MG	GS	2016-2019	1.5L
MG	HS	2018-2023	1.5L
MG	HS	2020-2023	1.5L PHEV
MG	MG 3	2011-2023	1.5L
MG	MG 4 EV	2022-2023	Electric
MG	MG 5	2020-2023	1.5L
MG	MG 6	2018-2023	1.5L Trophy
MG	MG 6	2010-2023	1.8T
MG	RX5	2016-2023	1.5L
MG	ZS	2017-2023	1.5L
MG	ZS EV	2020-2023	Electric

Adapter for MG cooling system for battery / motor



Make	Model	Year	Type
MG	HS	2020-2023	1.5L PHEV
MG	ZS EV	2020-2023	Electric

Adapter R



Make	Model	Type	Years	Adapter
Alfa Romeo	145	1.4 i.e. 16V T.Spark; 1.9 JTD	1996-2001	R
Alfa Romeo	146	1.4 16V, 1.8 16V; 1.9 JTD	1996-2001	R
Alfa Romeo	147	1.6, 3.2 GTA; 1.9 JTD	2001-2010	R
Alfa Romeo	156	1.6, 1.8, 2.0, 2.5, 3.2 GTA; 1.9 JTD, 2.4 JTD	1997-2005	R
Alfa Romeo	Giulietta	1.4 TB, 1.8 TBi; 1.6 JTDM	2010-2020	R
Alfa Romeo	GT	3.2 GTA; 1.9 JTD, 2.0 JTS	2003-2010	R
Alfa Romeo	Mito	1.4 Turbo MultiAir; 1.3 MultiJet	2008-2018	R
Alfa Romeo	Stelvio	2.0 for the Low Temp System	2017-2023	R
Citroen	Berlingo	1.2i, 1.6i; 1.5 HDI, 1.6 HDI	2008-2023	R
Citroen	C-Elysee	1.2i, 1.6i; 1.5 HDI, 1.6 HDI	2012-2021	R
Citroen	C1	1.4 HDI	2005-2014	R
Citroen	C1	1.0i, 1.2i	2014-2023	R
Citroen	C2	1.1i, 1.4i, 1.6i; 1.4 HDI	2003-2009	R
Citroen	C3	1.1i, 1.4i, 1.6i; 1.4 HDI, 1.6 HDI	2002-2016	R
Citroen	C3	1.2i; 1.5 HDI, 1.6 HDI	2016-2023	R
Citroen	C3 Aircross	1.2; 1.6 HDI	2017-2023	R
Citroen	C3 Picasso	1.4i, 1.6i; 1.6 HDI	2009-2023	R
Citroen	C4	1.4i, 1.6i, 2.0i; 1.6 HDI, 2.0 HDI	2005-2010	R
Citroen	C4	1.4i, 1.6i; 1.6 HDI, 2.0 HDI	2010-2018	R
Citroen	C4	1.2i; 1.5 HDI	2020-2023	R
Citroen	C4 Cactus	1.2i; 1.6 HDI	2014-2023	R
Citroen	C4 Picasso	1.2i, 1.6i, 1.8i, 2.0i; 1.6 HDI, 2.0 HDI	2006-2022	R
Citroen	C5	1.8i, 2.0i, 3.0i; 1.6 HDI, 2.0 HDI, 2.2 HDI	2001-2007	R
Citroen	C5	1.6i, 1.8i, 2.0i, 2.3i, 3.0i	2007-2023	R
Citroen	C5	1.6 HDI, 2.0 HDI, 2.2 HDI, 2.7 HDI, 3.0 HDI	2007-2023	R
Citroen	C5 Aircross	1.2i, 1.6i; 1.5 HDI, 2.0 HDI; 1.6 PHEV	2017-2023	R
Citroen	C5 X	PureTech 130, PureTech 180; Hybrid 225	2021-2023	R
Citroen	C6	3.0i; 2.2 HDI, 2.7 HDI, 3.0 HDI	2005-2012	R
Citroen	C8	2.0, 2.2, 3.0; 2.0 HDi	2002-2023	R
Citroen	Dispatch	1.6, 2.0; 1.9 D, 1.9 TD, 2.0 HDi	1995-2006	R
Citroen	Dispatch	2.0i; 1.6 D, 2.0 D; ë-Jumpy	2007-2023	R
Citroen	Nemo	1.4; 1.4 HDi	2008-2023	R
Citroen	Relay	2.2 HDi, 3.0 HDi	2006-2023	R
Citroen	Synergie	1.8, 2.0; 1.9 TD, 2.0 HDi, 2.1 TD	1995-2002	R
Citroen	Xsara Picasso	1.6i, 1.8i, 2.0i; 1.6 HDI, 2.0 HDI	1999-2012	R



Adapter R

Make	Model	Type	Years	Adapter
Fiat	500	1.2, 1.4; 1.3 D Multijet	2007-2023	R
Fiat	500	0.9 L TwinAir Turbo	2011-2018	R
Fiat	500C	1.2, 1.4; 1.3 D Multijet	2009-2023	R
Fiat	500L	1.4L	2014-2020	R
Fiat	Brava	1.2 16V, 1.6 16V; 1.9 JTD	1996-2002	R
Fiat	Bravo	1.4 T-Jet; 1.9 D Multijet; 2.0 D Multijet	2007-2014	R
Fiat	Doblo	1.2, 1.4, 1.6; 1.3 D, 1.6 D, 1.9 D, 2.0 D	2001-2023	R
Fiat	Fiorino	1.4 Natural Power	2007-2023	R
Fiat	Grande Punto	1.4; 1.3 D Multijet	2005-2015	R
Fiat	Grande Punto	1.9 D Multijet	2005-2023	R
Fiat	Idea	1.3 D Multijet, 1.6 D Multijet, 1.9 JTD	2004-2023	R
Fiat	Linea	1.4	2007-2023	R
Fiat	Marea	2.0 150 20V; 1.9 JTD	1996-2003	R
Fiat	Multipia	1.6; 1.9 JTD	1999-2010	R
Fiat	Palio	1.0, 1.2, 1.4, 1.6; 1.9 D, 1.9 JTD	1996-2023	R
Fiat	Panda	1.1, 1.2, 1.4; 1.3 D Multijet	2003-2023	R
Fiat	Punto	1.2; 1.3 JTD 16V, 1.9 JTD	1999-2012	R
Fiat	Punto Evo	1.4; 1.3 D Multijet, 1.6 D Multijet	2009-2012	R
Fiat	Qubo	1.4 Natural Power; 1.3 D Multijet	2008-2023	R
Fiat	Scudo	1.6; 1.6 D, 1.9 TD, 2.0 D Multijet	1996-2023	R
Fiat	Seicento / 600	1.1	1998-2009	R
Fiat	Siena	1.3, 1.4, 1.6	1996-2012	R
Fiat	Stilo	1.2, 1.4, 1.6, 1.8, 2.4; 1.9 D Multijet	2001-2008	R
Fiat	Strada	1.3 D Multijet, 1.7 TD, 1.9 JTD	2006-2023	R
Fiat	Ulysse	1.8, 2.0, 3.0; 2.0 JTD, 2.1 TD	1997-2011	R
Ford	Ka	1.2; 1.3 TDCi	2008-2016	R
Mercedes-Benz	Citan	1.2 M200; 1.5 OM607	2012-2021	R
Mercedes-Benz	Citan	Nissan H5Ht, Renault K9K	2021-2023	R
Nissan	Cube	1.6 16V	2009-2021	R
Nissan	Interstar	1.9 dCi	2002-2006	R
Nissan	Juke	1.5, 1.6; 1.5 dCi; 1.6 hybrid	2010-2023	R
Nissan	Kicks	1.6L CVT	2018-2022	R
Nissan	Kubistar	1.2L, 1.5 dCi	2003-2023	R
Nissan	Kubistar	1.6 16V	2003-2009	R
Nissan	Micra	1.0, 1.2, 1.4, 1.5, 1.6; 1.5 dCi	2003-2010	R
Nissan	Note	MK1 & MK2 all engines	2004-2020	R
Nissan	Note	1.2 L HR12DE e-Power hybrid I3	2020-2023	R
Nissan	NV200	1.5 dCi; e-NV200	2010-2023	R
Nissan	Primastar	2.0L; 1.9 dCi, 2.0 dCi, 2.5 dCi	2001-2021	R
Nissan	Pulsar	1.2 DIG-T; 1.5 dCi	2014-2023	R
Nissan	Qashqai	MK1 to MK3 all engines	2006-2023	R
Nissan	Rogue Sport	2.0L CVT	2019-2023	R
Nissan	Sentra	2.0L CVT	2020-2023	R
Nissan	Versa	1.6L CVT, 1.6L MT	2019-2023	R
Nissan	X-Trail	1.3 DIG-T, 1.6 DIG-T, 2.5L CVT	2014-2023	R
Nissan	X-Trail	1.6 dCi, 1.7 dCi, 2.0 dCi	2014-2023	R
Opel	Arena	1.9 D, 2.5 D	1997-2001	R
Opel	Astra	Astra L 1.2; 1.5 Turbo D; 1.6 Plug-In-Hybrid	2021-2023	R
Opel	Combo	Combo E 1.2; 1.5 L HDi	2019-2023	R
Opel	Corsa	Corsa F 1.2, 1.5	2019-2023	R
Opel	Crossland	1.2L, 1.6 BlueHDi	2017-2023	R
Opel	Grandland	1.2L turbo I3; 1.5 BlueHDi, 2.0 BlueHDi	2017-2023	R
Opel	Movano	2.2L, 2.5L, 2.8L, 3.0L	1997-2021	R
Opel	Vivaro	2.0L; 1.9 D, 2.0 JTD	1999-2006	R
Opel	Vivaro	2.0L; 1.6 D, 2.0 JTD	2007-2023	R
Opel	Vivaro-e	Electric	2020-2023	R
Peugeot	106	1.1i, 1.4i, 1.6i	1996-2003	R
Peugeot	107	1.4 HDi	2005-2014	R



Adapter R

Make	Model	Type	Years	Adapter
Peugeot	108	1.0i, 1.2i	2014-2023	R
Peugeot	206	1.0i, 1.1i, 1.4i, 1.6i, 2.0i	1998-2012	R
Peugeot	206	1.4 HDI, 1.6 HDI, 1.9 D, 2.0 HDI	1998-2012	R
Peugeot	207	1.4i, 1.6i; 1.4 HDI, 1.6 HDI, 2.0 HDI	2006-2014	R
Peugeot	208	1.0i, 1.2i, 1.4i, 1.6i; 1.4 HDI, 1.5 HDI, 1.6 HDI	2012-2023	R
Peugeot	301	1.2i, 1.6i; 1.5 BlueHDI, 1.6 BlueHDI	2014-2023	R
Peugeot	306	1.9 D	1998-2001	R
Peugeot	307	1.4i, 1.6i, 2.0i; 1.4 HDI, 1.6 HDI, 2.0 HDI	2001-2013	R
Peugeot	308	1.2i, 1.6i; 1.5 HDI, 1.6 HDI, 2.0 HDI	2013-2021	R
Peugeot	308	1.2L, 1.5 L BlueHDI, 1.6 PHEV	2021-2023	R
Peugeot	407	1.8i, 2.0i, 2.2i, 3.0i	2003-2010	R
Peugeot	407	1.6 HDI, 2.0 HDI, 2.2 HDI, 2.7 HDI, 3.0 HDI	2003-2010	R
Peugeot	408	1.2 PureTech, 1.6L PHEV	2022-2023	R
Peugeot	508	1.6i; 1.6 HDI, 2.0 HDI, 2.2 HDI	2010-2018	R
Peugeot	508	1.6i; 1.5 HDI, 2.0 HDI; 1.6 PHEV	2018-2023	R
Peugeot	607	2.2i, 3.0i; 2.0 D, 2.2 D, 2.7 D	1999-2010	R
Peugeot	806	1.8, 2.0; 1.9 TD, 2.0 HDI, 2.1 TD 12V	1994-2002	R
Peugeot	807	2.0i, 2.2i, 3.0 V6; 2.0 HDi	2002-2023	R
Peugeot	1007	1.4i, 1.6i; 1.4 HDI, 1.6 HDI	2004-2009	R
Peugeot	2008	1.2i, 1.6i; 1.4 HDI, 1.5 HDI, 1.6 HDI	2013-2023	R
Peugeot	3008	1.6i; 1.5 HDI, 1.6 HDI, 2.0 HDI; 1.6 PHEV	2008-2023	R
Peugeot	5008	1.2i, 1.6i; 1.2 HDI, 1.6 HDI, 2.0 HDI	2009-2023	R
Peugeot	Expert	1.6, 1.8, 2.0; 1.9 D, 2.0 HDi	1999-2006	R
Peugeot	Expert	2.0i; 1.6 D, 2.0 D; e-Expert	2007-2023	R
Peugeot	Partner	1.2i, 1.6i; 1.5 HDI, 1.6 HDI	2008-2023	R
Peugeot	RCZ	1.6i; 2.0 HDI	2009-2015	R
Peugeot	Rifter	1.2i; 1.5 HDI, 1.6 HDI	2018-2021	R
Ram	ProMaster 1500	3.0L L4 - Diesel	2014-2017	R
Ram	ProMaster 1500	3.6L V6 - Flex	2014-2023	R
Ram	ProMaster 2500	3.0L L4 - Diesel	2014-2017	R
Ram	ProMaster 2500	3.6L V6 - Flex	2014-2023	R
Ram	ProMaster 3500	3.0L L4 - Diesel	2014-2017	R
Ram	ProMaster 3500	3.6L V6 - Flex	2014-2023	R
Ram	ProMaster City	2.4L L4 - Gas	2015-2022	R
Renault	Arkana	1.3L; 1.6L PHEV	2019-2023	R
Renault	Avantime	2.0 16V Turbo; 2.2 dCi	2001-2003	R
Renault	Captur	0.9L, 1.2L, 1.3L; 1.5 dCi	2013-2019	R
Renault	Captur	1.0 TCe, 1.3L, 1.6 E-Tech; 1.5 dCi	2019-2023	R
Renault	Clio	MK1 to MK5 all engines	1990-2023	R
Renault	Espace	MK2 to MK5 all engines	1991-2023	R
Renault	Fluence	1.6 16V, 2.0 16V; 1.5 dCi, 1.6 dCi	2010-2020	R
Renault	Kadjar	1.2L, 1.3L, 1.6L; 1.5 dCi, 1.6 dCi, 1.7 dCi	2015-2021	R
Renault	Kangoo	MK1 to MK3 all engines	1997-2023	R
Renault	Koleos	1.6 dCi, 2.0 dCi	2008-2023	R
Renault	Laguna	MK1 to MK3 all engines	1993-2015	R
Renault	Latitude	2.0, 2.5, 3.0; 1.5 dCi, 2.0 dCi, 3.0 dCi	2010-2015	R
Renault	Master	MK2 & MK3 all engines	1997-2023	R
Renault	Megane	MK1 to MK4 all engines	1995-2023	R
Renault	Modus	1.2, 1.4, 1.6; 1.5 dCi	2004-2014	R
Renault	Safrane	2.2 dT	1996-2000	R
Renault	Scenic	MK1 to MK4 all engines	1997-2022	R
Renault	Talisman	1.5 dCi 110	2015-2022	R
Renault	Thalia	1.2, 1.4, 1.6; 1.5 dCi	2008-2021	R
Renault	Trafic	MK2 & MK3 all engines	2001-2023	R
Renault	Twingo	MK1 to MK3 all engines	1993-2023	R
Renault	Vel Satis	2.0 16V Turbo; 2.2 dCi	2002-2010	R
Renault	Wind	1.2 TCe 100, 1.6	2010-2021	R
Renault	Zoe	Electric Motor	2012-2021	R
Suzuki	Grand Vitara	1.9 DDiS	2006-2015	R



Adapter R

Make	Model	Type	Years	Adapter
Suzuki	Jimny	1.5 DDiS 4WD	2003-2021	R
Toyota	ProAce	1.6 D-4D, 2.0 D-4D; Electric	2016-2023	R



Adapter 28

Make	Model	Type	Years	Adapter
Alfa Romeo	Tonale	1.3 PHEV, 1.5 MHEV	2022-2023	28
Chrysler	Pacifica	3.6L Gas, 3.6L Hybrid	2017-2023	28
Chrysler	Voyager	3.6L Gas	2020-2022	28
Fiat	500e	Electric	2020-2023	28
Jeep	Grand Cherokee	2.0L Hybrid	2022-2023	28
Jeep	Wrangler	2.0L Hybrid, 3.6L Hybrid	2018-2022	28
Ram	1500	3.6L Hybrid	2019-2023	28