

PULSATING COOLING SYSTEM FLUSH TOOL



1. FEATURES

2. SPECIFICATIONS

3. INSTRUCTIONS

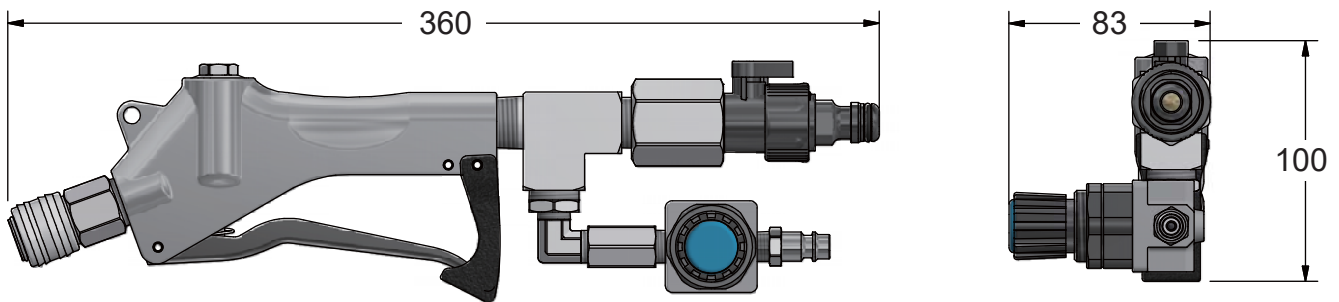
1. FEATURES

- Powerful flush cleans impurities in cooling system with a **pulsating effect**
- Adjustable trigger to provide pulsate flush and regular consistent-pressure flush functions
- Includes a conical adapter for fitting radiator filler necks
- 5/8" and 1/2" heater hose barbs and a small conical adapter for flushing heater side
- Connects to air compressor and garden hose for flushing the cooling system
- Special back pressure one-way valve to avoid excessive pressure accumulated in water hose

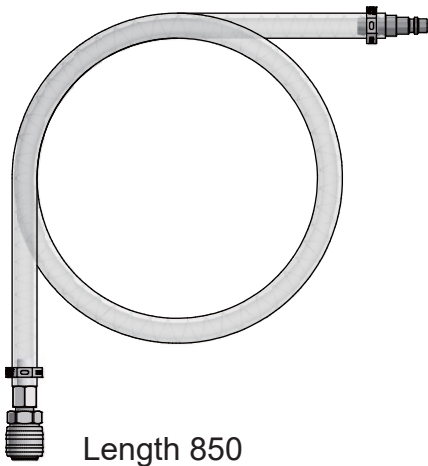
2. SPECIFICATIONS

*Unless otherwise stated, all sizes are shown in millimeter (mm)

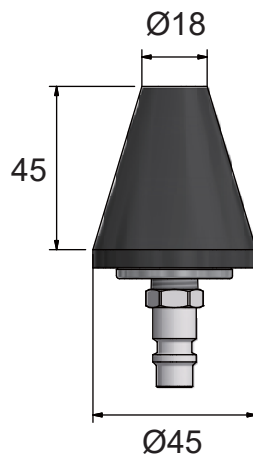
Flush tool



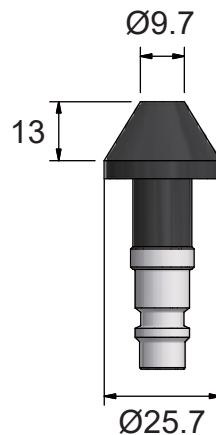
Flush hose



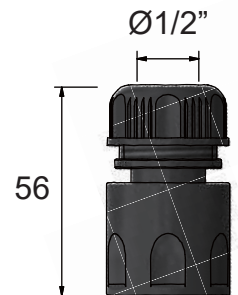
Conical adapter



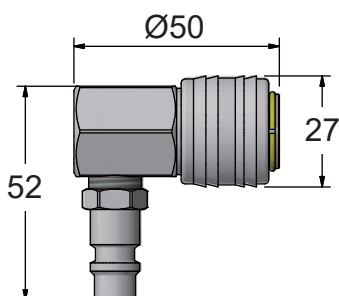
Conical adapter for heater core



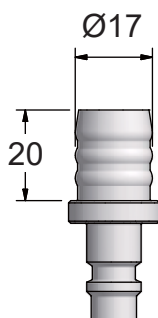
Connector for garden hoses



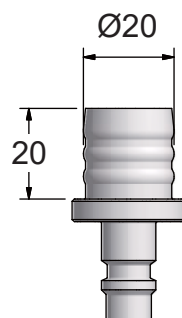
90° connector



Heater core adapter Ø5/8"



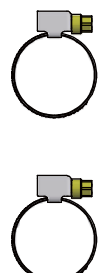
Heater core adapter Ø1/2"



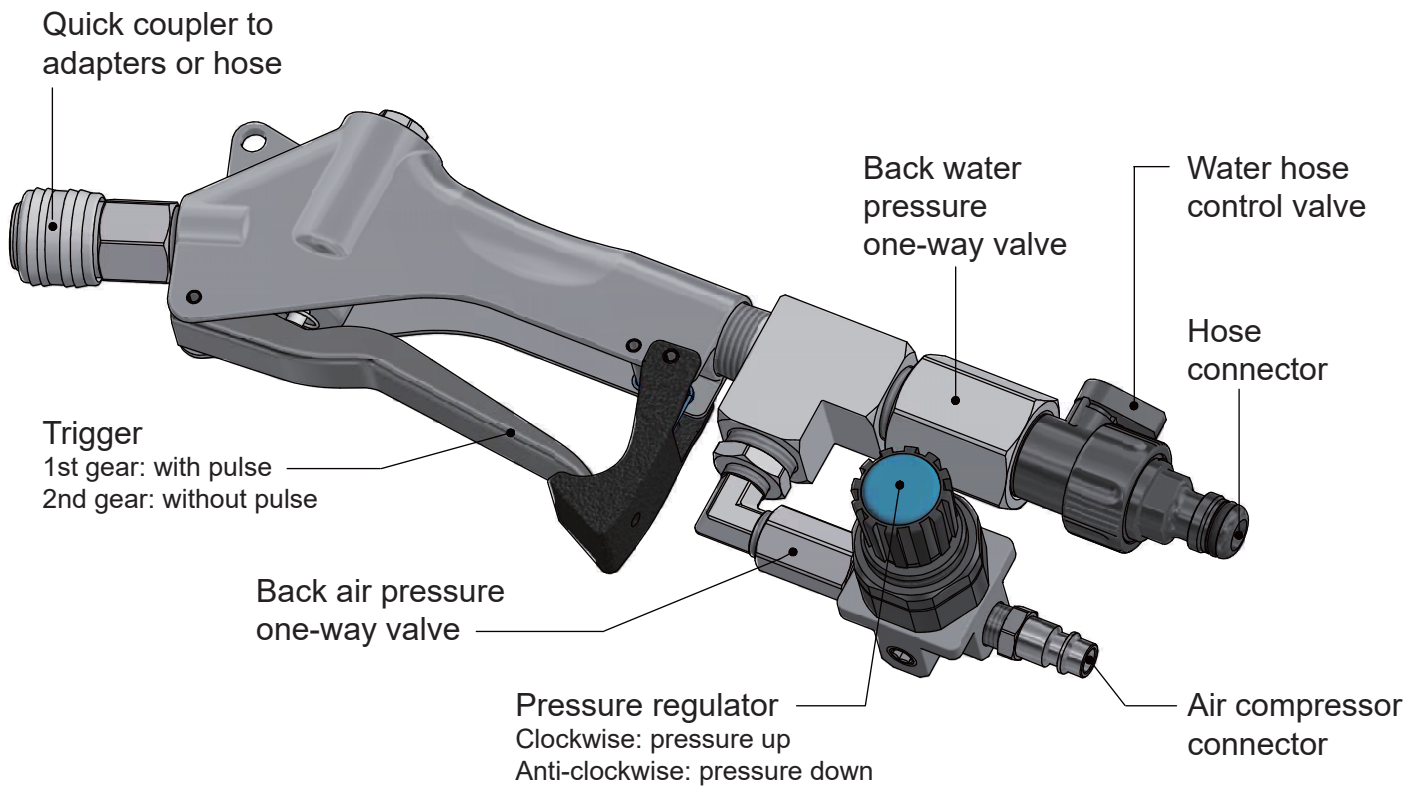
Hose clamps range 16-27



Hose clamps range 20-32



Flush tool details



3. INSTRUCTIONS

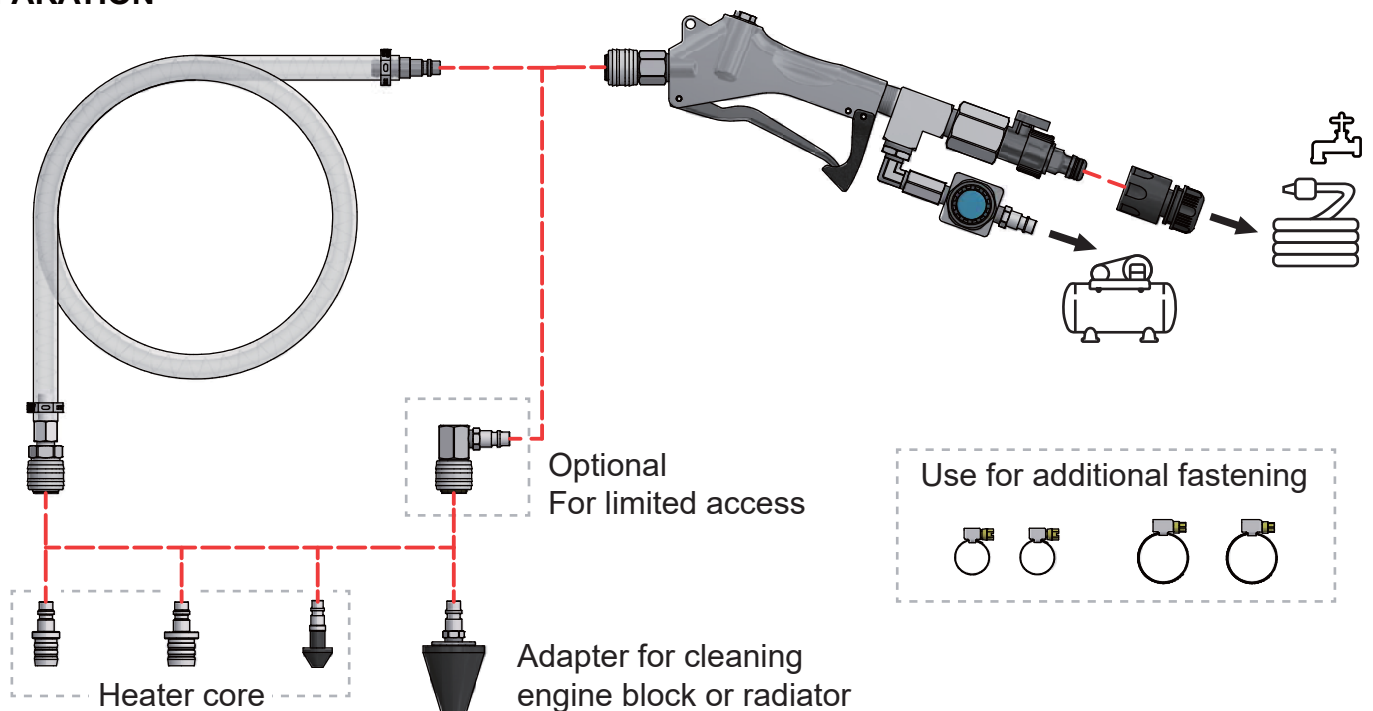


CAUTION



- Always read the instructions carefully before using the tool
- Keep children and unauthorized persons away from the working area
- Keep working area clean and tidy, dry and free from unrelated materials
- DO NOT allow untrained persons to use this tool kit
- Always wear eye protection that meets OSHA and ANSI Z87.1 standards
- Always wear gloves when working with the tool
- Always wear ear protection
- Disposal: Customers should follow local regulations to handle used/waste parts

PREPARATION



- 1 Connect a garden hose (not included) to the hose connector.
- 2 Connect air compressor line to air compressor connector.
- 3 Turn on the water tap/faucet and turn on the water hose control valve.
- 4 Pull the trigger to test the water flow and adjust the pressure regulator to the desired force.
- 5 Depending on the cleaning area, some hoses or tubes on car may need to be clamped

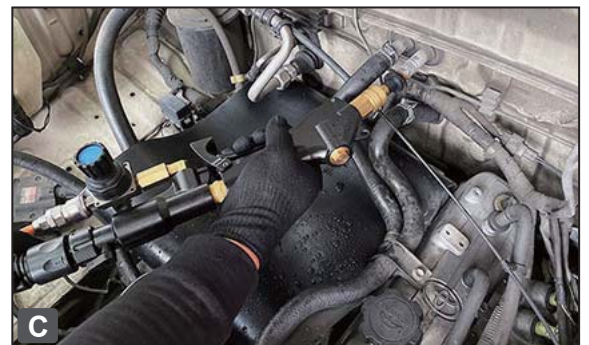
A for cleaning the **radiator** -
connect the flush tool to the big conical adapter, and connect the adapter to radiator filler neck.



B for cleaning **engine block** -
connect the flush tool to flush hose and the big conical adapter via upper hose or lower hose.
** The removal of the thermostat may be necessary*



C for cleaning **heater core** -
connect the flush tool to one of the heater core adapters. Connecting the flush hose if the heater core inlet is hard to reach.



OPERATION

- 1 Press the trigger to the first gear to create the flushing water flow **with** a pulsating effect.
- 2 Press the trigger to the second gear to create the flushing water flow **without** a pulsating effect.
Collect the liquid flushed out, and check the impurities or debris within, and do the proper maintenance, for example changing a water pump, if necessary.

DISCONNECTION

- 1 Turn off the pressure regulator, and disconnect air compressor line from the tool
- 2 Turn off the water faucet
- 3 Disconnect the hose connector from the tool
- 4 Drain the residual water in the tool
- 5 Turn off the water valve before storage