

TRIM REMOVAL PRY BAR FASTENER LIFTER TOOL SET (2 PCS)



1. FEATURES

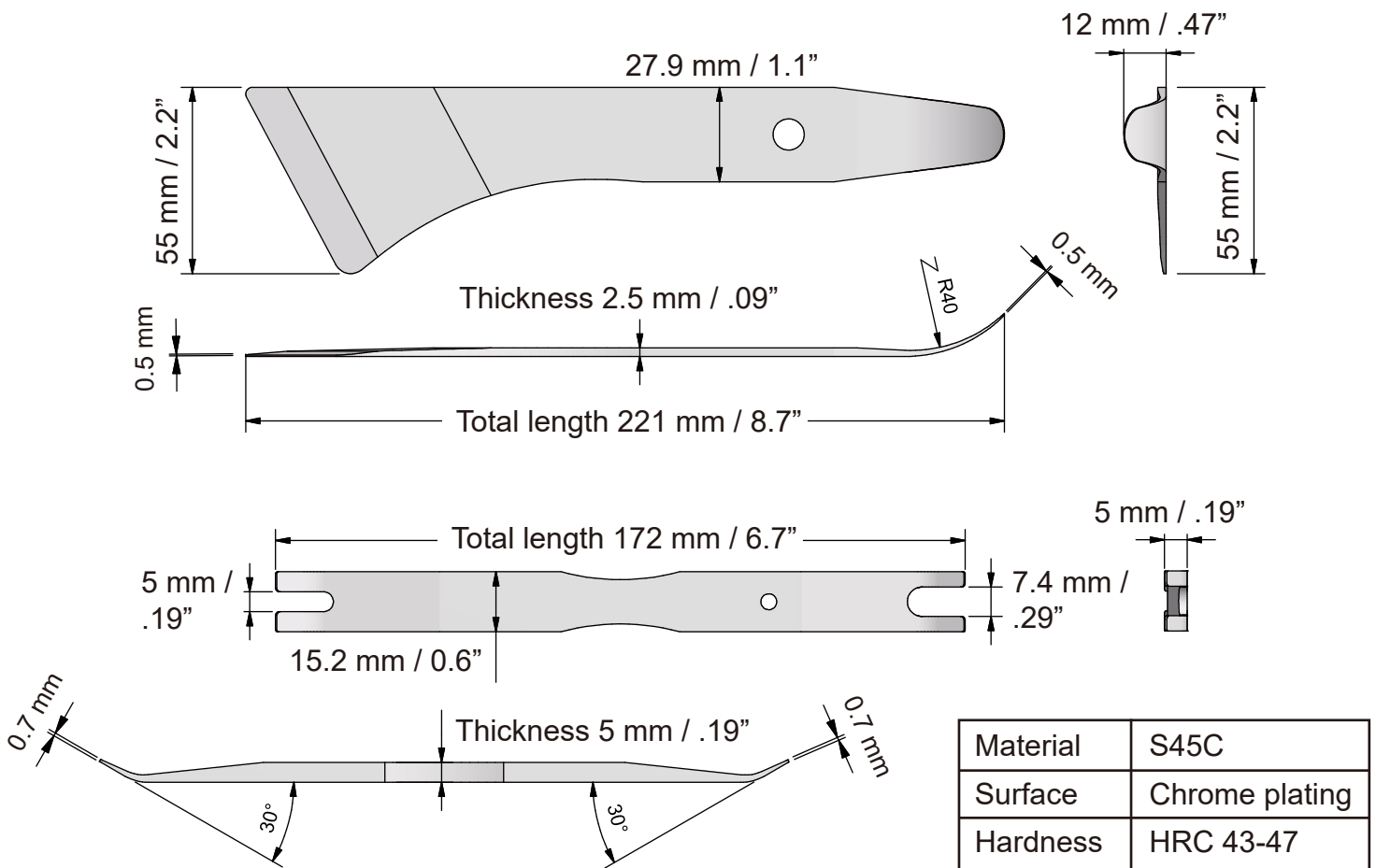
2. SPECIFICATIONS

3. INSTRUCTIONS

1. FEATURES

- Set for removing exterior and interior trim, molding, dashboards, door panels, and clips
- Each tool is two-sided to increase its applicability and versatility
- Metallic material is not easily damaged or broken, more durable than plastic panel removal tools

2. SPECIFICATIONS



3. INSTRUCTIONS



CAUTION



- Always read the instructions carefully before using the tool
- Ensure the working area has adequate lighting
- Keep children and unauthorized persons away from the working area
- Keep working area clean and tidy, dry and free from unrelated materials
- DO NOT allow untrained persons to use this tool kit
- Always wear eye protection that meets OSHA and ANSI Z87.1 standards
- Always wear gloves when working with the tool
- Always wear ear protection
- Disposal: Customers should follow local regulations to handle used/waste parts

Insert the tool carefully into the fastener or clip gap, and use leverage to raise or pull apart the object

