

# CAR PAINT MASKING TAPE DISPENSER FOR FOLDING A SOFT EDGE



**1. FEATURES**

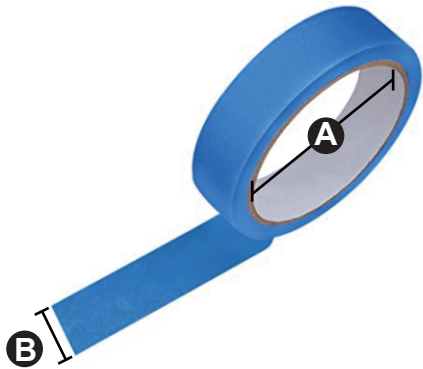
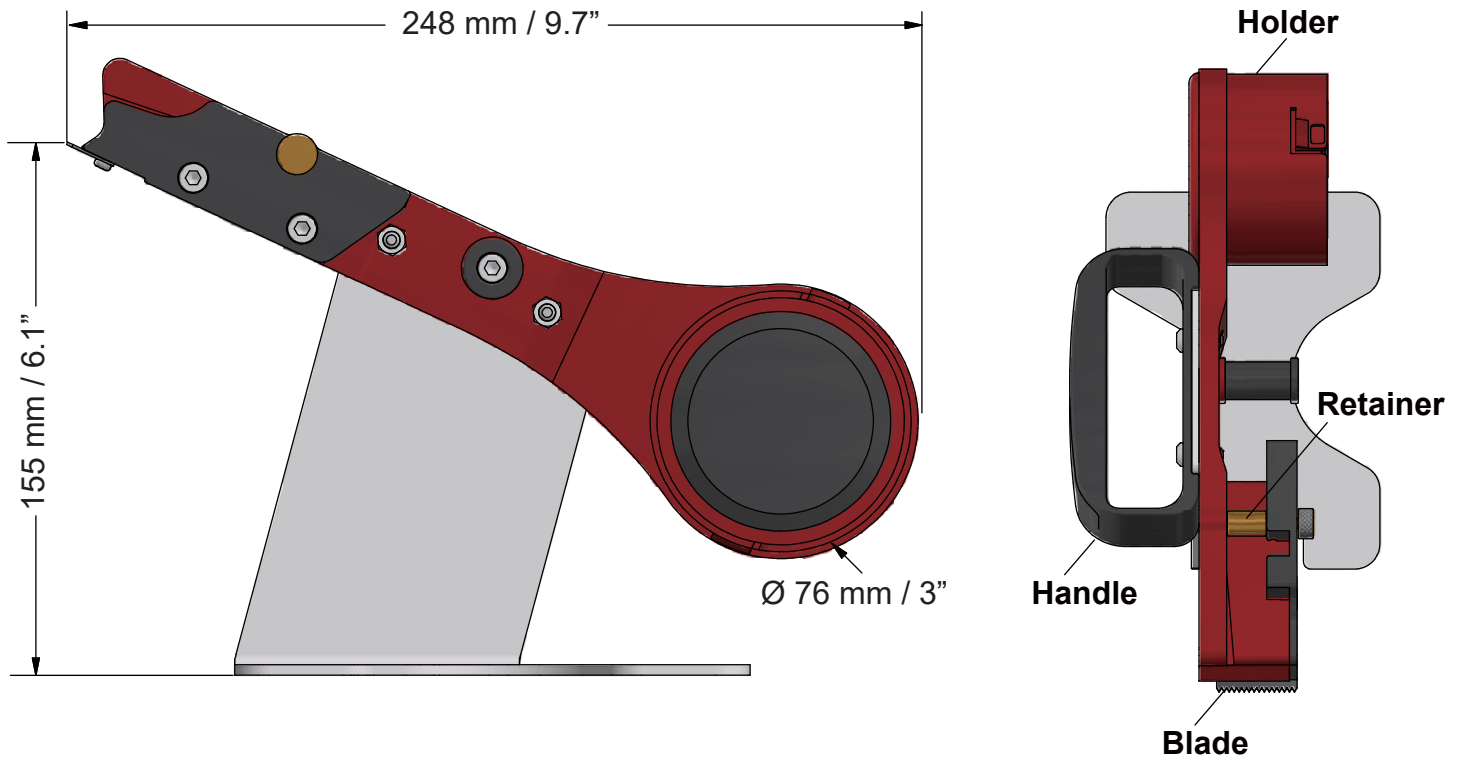
**2. SPECIFICATIONS**

**3. INSTRUCTIONS**

# 1. FEATURES

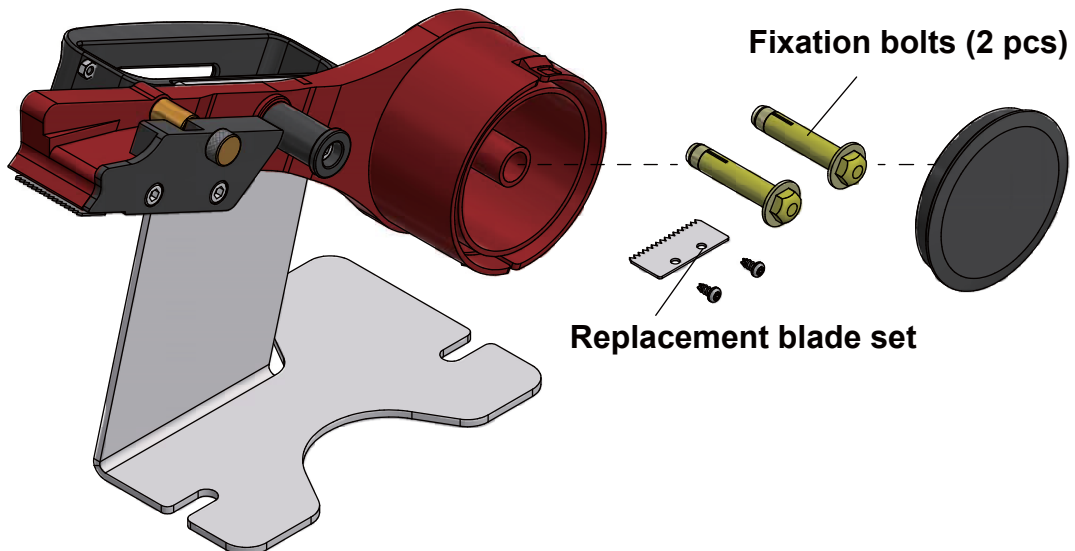
- Car paint masking tape folds itself while being pulled from the dispenser
- Sharp blade for easy cut
- Holder suitable for 24-25 mm / 1 inch masking tapes with an inner core  $\varnothing$  76 mm / 3 inches
- Base with grooves for fixation on a wall or working table

# 2. SPECIFICATIONS



### Suitable masking tape size (not included)

<b>A</b> Inner core	$\varnothing$ 76 mm / 3"
<b>B</b> Tape width	24-25 mm / 1"



# 3. INSTRUCTIONS



**CAUTION**



- Always read the instructions carefully before using the tool
- Ensure the working area has adequate lighting
- Keep children and unauthorized persons away from the working area
- Keep working area clean and tidy, dry and free from unrelated materials
- DO NOT allow untrained persons to use this tool kit
- Always wear eye protection that meets OSHA and ANSI Z87.1 standards
- Always wear gloves when working with the tool
- Always wear ear protection
- Disposal: Customers should follow local regulations to handle used/waste parts

## INITIAL LOAD 1

Remove the retainer.

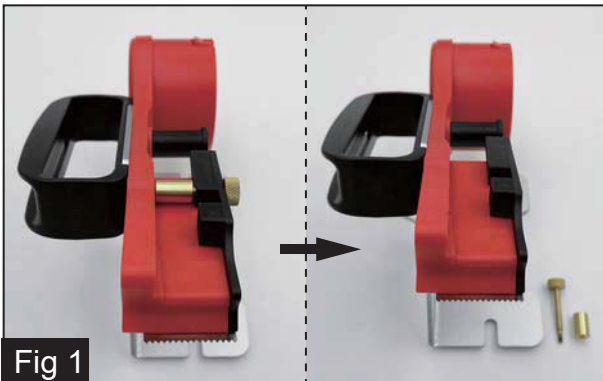


Fig 1

## INITIAL LOAD 2

Push the masking tape into the holder. Sticky side up.



Fig 2

## INITIAL LOAD 3

Fold 1/3 of the tape manually, and tuck the tape under the black blocks.

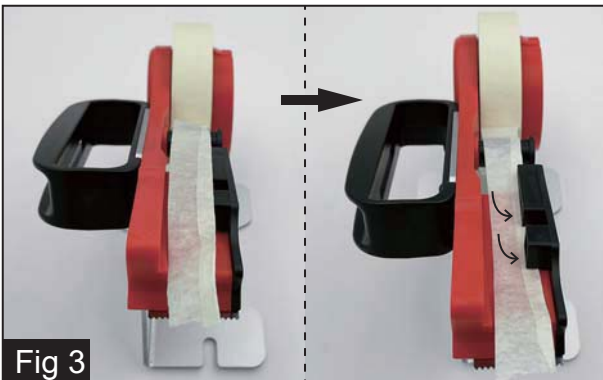


Fig 3

## INITIAL LOAD 4

Install the retainer back.



Fig 4

## INITIAL LOAD 5

Pull towards to the right slightly to make a perfect soft edge.



Fig 5

## UNLOAD

Press the button to unload the tape from the holder



Fig 6