

CAR PAINT MASKING TAPE DISPENSER FOR FOLDING A SOFT EDGE



1. FEATURES

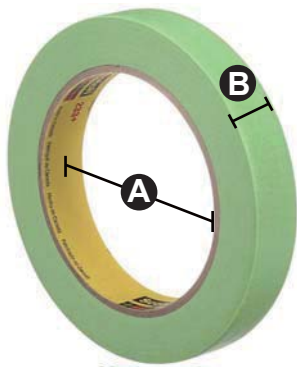
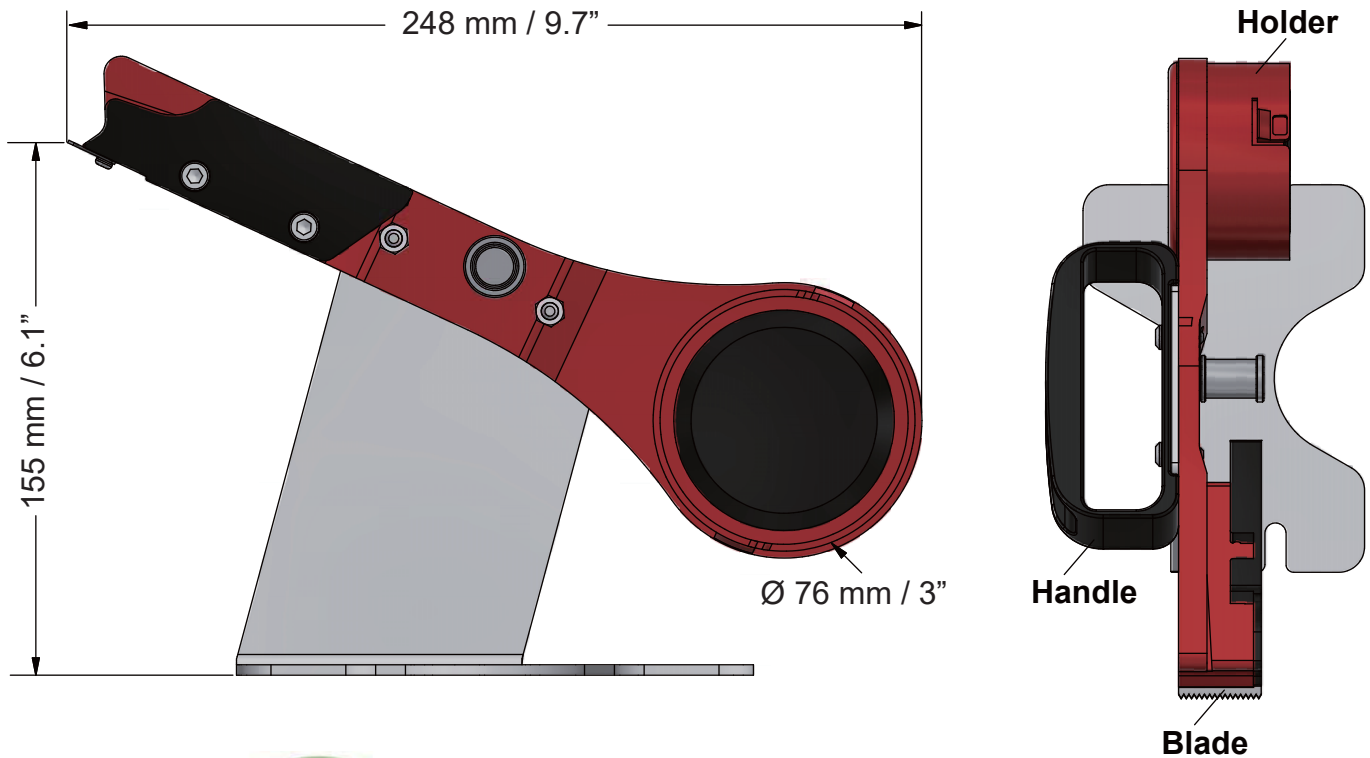
2. SPECIFICATIONS

3. INSTRUCTIONS

1. FEATURES

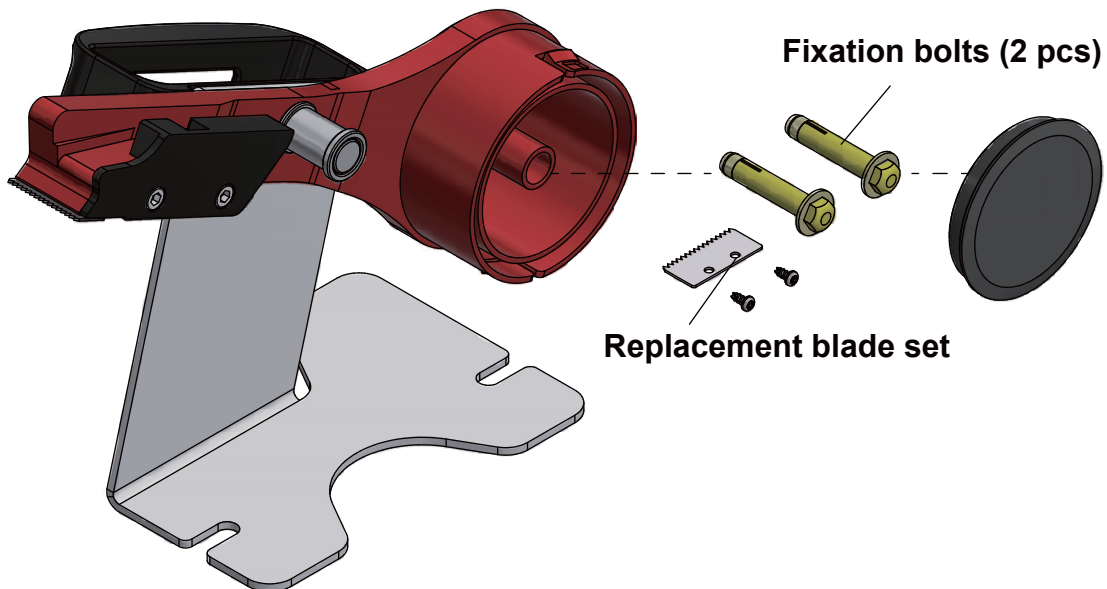
- Car paint masking tape folds itself while being pulled from the dispenser
- Sharp blade for easy cut
- Holder suitable for regular 3/4" / 19 mm masking tapes with an inner core Ø 3" / 76 mm
- Base with grooves for fixation on a wall or working table

2. SPECIFICATIONS



Suitable masking tape size (not included)

A Inner core	Ø 3" / 76 mm
B Tape width	3/4" / 19 mm



3. INSTRUCTIONS



CAUTION



- Always read the instructions carefully before using the tool
- Ensure the working area has adequate lighting
- Keep children and unauthorized persons away from the working area
- Keep working area clean and tidy, dry and free from unrelated materials
- DO NOT allow untrained persons to use this tool kit
- Always wear eye protection that meets OSHA and ANSI Z87.1 standards
- Always wear gloves when working with the tool
- Always wear ear protection
- Disposal: Customers should follow local regulations to handle used/wasted parts

INITIAL LOAD 1

Push the masking tap into the holder.
Sticky side up.



Fig 1

INITIAL LOAD 2

Fold 1/3 of the tape manually, and pull a short section and place on top of the delivery channel



Fig 2

INITIAL LOAD 3

Pull towards to the right slightly to make a perfect soft edge.



Fig 3

UNLOAD

Press the button to unload the tape from the holder



Fig 4